

GMX500 Compact Weather Station

High quality, easy-to-use, integrated weather station

MaxiMet compact weather stations are designed to be simple to install, use and maintain. In addition to providing measured parameters, the products derive additional parameters and data is output as a single string and available on a range of communications protocols.

MaxiMet weather stations benefit from the same technology used in Gill's scientific product range, ensuring measurement accuracy, low maintenance and continuous status reporting.

The MaxiMet family includes a range of sensor configurations allowing customers to select the model most appropriate to their needs.

Typical applications

- Control systems including smart buildings, agriculture and industry.
- Solar farms.
- Road and rail.
- Ports and harbours.
- Reporting systems for transport and safety.
- Low power/solar powered deployments and IoT applications.

MaxiMet GMX500 key features

- Five measured parameters:
Wind speed & direction, temperature, humidity, pressure, optional heating, optional GPS function.
- Multiple additional derived parameters based on combining measured parameters, such as gust, average wind speed and dew point.
- High quality, accurate, solid state sensors.
- 2-axis compass.
- Optional integrated GPS capability available to provide location, GPS timestamp and a calculation of true wind if the platform is moving.
- Optional low power heating

Benefits

- High quality measurement data due to careful sensor selection and extensive design testing and verification.
- Easy to set-up and integrate using comprehensive software to select the reported and derived parameters and measurement units required.
- Easy to install and long operational life, due to a compact, robust design and the selection of low maintenance sensors.
- Suitable for use with battery or solar systems in low power mode.



MaxiMet GMX500 measures 5 parameters.



MaxiMet compact weather stations are integrated into systems monitoring gas and particulate concentrations in the air.

GMX500 Compact Weather Station

High quality, easy-to-use, integrated weather station

WIND SPEED	
Range	0-60 m/s
Accuracy	0-10 m/s 0.3 m/s RMSE 10-40 m/s 3% RMSE 40-60 m/s 5% RMSE
Resolution	0.01 m/s
Starting threshold	0.01 m/s
Units of measurement	m/s, km/h, mph, kts, ft/min

WIND DIRECTION	
Range	0-360°
Accuracy	0.5 m/s-40 m/s ±3° 40-60 m/s ±5°
Resolution	1°
Units of measurement	degrees

AIR TEMPERATURE	
Range	-40°C to +70°C with heating
Accuracy	±0.3°C
Resolution	0.1°C
Units of measurement	°C, °F, K

RELATIVE HUMIDITY	
Range	0-100% RH
Accuracy	typically ±2% RH across full range
Resolution	0.1% RH
Units of measurement	% RH, g/m ³

BAROMETRIC PRESSURE	
Range	300-1250 hPa
Accuracy	Absolute (typically) ±0.4 hPa 900-1100 hPa, 25-40°C Relative (typically) ±0.08 hPa
Resolution	0.1 hPa
Units of measurement	hPa, mbar, mmHg, inHg

WARRANTY	
Warranty	24 months

OUTPUTS	
Digital comms modes	RS232, RS422 RS485, SDI-12,
Protocols	ASCII, SDI-12 v1.3, NMEA 0183 MODBUS (RTU and ASCII)
Data outputs rates	1/s, 1/min, 1/hour, or polled

POWER SUPPLY	
Input voltage	5-30 VDC (10-30 VDC for heated models)
Average current consumption @ 12 VDC	26 mA continuous mode (std unit) 400 mA total with heating +9 mA with GPS option 1.3 mA eco-power mode (no GPS, 1/hr)

MECHANICAL	
Construction	UV stabilized thermoplastic
Fittings	Fit to 44.45 mm (1.75 in) pole or mast
Weight	0.7 kg
Connector type	9-way clipper connector

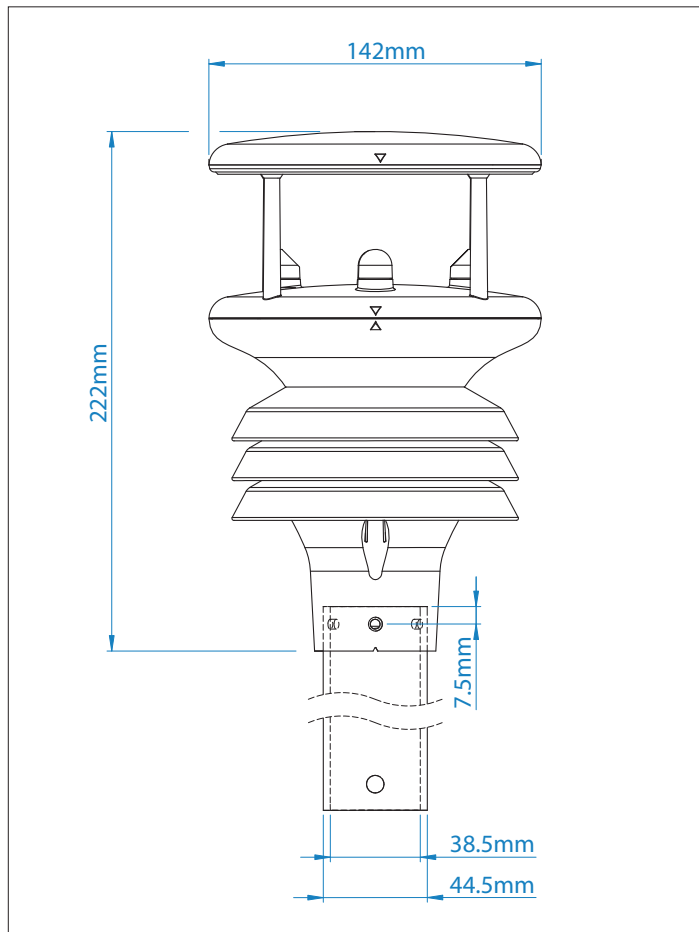
ENVIRONMENTAL	
Protection class	IP66
Operating temp.	-35°C to +70°C -40°C to +70°C with heating option
Storage temp	-40°C to +70°C

STANDARD EQUIPMENT (supplied with product)	
MaxiMet product	
Mating connector	
MetSet software*, to set-up and configure MaxiMet (comms mode, measurement units, reporting intervals, derived parameters, etc.)	
MetView software*, to view reported parameters	
MaxiMet User Manual*	
* downloadable from Gill Instruments website	

OPTIONS	
GPS	Available as an option. Enables reporting of location, height, real time clock, true wind (for vehicle mounting applications)
Heating	Available as an option for operation in extremely low temperatures

GMX500 Compact Weather Station

High quality, easy-to-use, integrated weather station



EXAMPLE DERIVED PARAMETERS FOR MAXIMET RANGE (model dependent)

A full list of derived parameters is available in the User Manual, downloadable from gillinstruments.com

Average wind speed *	Sunrise
Average wind direction *	Solar noon
Corrected wind speed	Twilight
Corrected wind direction	Sunset
Gust wind speed & direction *	Position of sun
Dew point	Angle of tilt
Wind chill	Pressure at sea level
Absolute humidity	Heat index

* WMO compliant

ACCESSORIES

A list of the accessories available to support MaxiMet is provided on the MaxiMet Accessories Datasheet, which can be downloaded from gillinstruments.com

MaxiMet® Compact Weather Stations Accessories Datasheet

For 142mm high quality compact, integrated weather stations

MaxiMet weather stations are supported by a range of accessories. These accessories can be used to connect, install and maintain MaxiMet. The accessories have been designed to support the long term performance of MaxiMet products.

Accessories	Part Number
142mm High Quality Compact Integrated Weather Station	142-0000
142mm High Quality Compact Integrated Weather Station	142-0001
142mm High Quality Compact Integrated Weather Station	142-0002
142mm High Quality Compact Integrated Weather Station	142-0003
142mm High Quality Compact Integrated Weather Station	142-0004
142mm High Quality Compact Integrated Weather Station	142-0005
142mm High Quality Compact Integrated Weather Station	142-0006
142mm High Quality Compact Integrated Weather Station	142-0007
142mm High Quality Compact Integrated Weather Station	142-0008
142mm High Quality Compact Integrated Weather Station	142-0009
142mm High Quality Compact Integrated Weather Station	142-0010
142mm High Quality Compact Integrated Weather Station	142-0011
142mm High Quality Compact Integrated Weather Station	142-0012
142mm High Quality Compact Integrated Weather Station	142-0013
142mm High Quality Compact Integrated Weather Station	142-0014
142mm High Quality Compact Integrated Weather Station	142-0015
142mm High Quality Compact Integrated Weather Station	142-0016
142mm High Quality Compact Integrated Weather Station	142-0017
142mm High Quality Compact Integrated Weather Station	142-0018
142mm High Quality Compact Integrated Weather Station	142-0019
142mm High Quality Compact Integrated Weather Station	142-0020
142mm High Quality Compact Integrated Weather Station	142-0021
142mm High Quality Compact Integrated Weather Station	142-0022
142mm High Quality Compact Integrated Weather Station	142-0023
142mm High Quality Compact Integrated Weather Station	142-0024
142mm High Quality Compact Integrated Weather Station	142-0025
142mm High Quality Compact Integrated Weather Station	142-0026
142mm High Quality Compact Integrated Weather Station	142-0027
142mm High Quality Compact Integrated Weather Station	142-0028
142mm High Quality Compact Integrated Weather Station	142-0029
142mm High Quality Compact Integrated Weather Station	142-0030
142mm High Quality Compact Integrated Weather Station	142-0031
142mm High Quality Compact Integrated Weather Station	142-0032
142mm High Quality Compact Integrated Weather Station	142-0033
142mm High Quality Compact Integrated Weather Station	142-0034
142mm High Quality Compact Integrated Weather Station	142-0035
142mm High Quality Compact Integrated Weather Station	142-0036
142mm High Quality Compact Integrated Weather Station	142-0037
142mm High Quality Compact Integrated Weather Station	142-0038
142mm High Quality Compact Integrated Weather Station	142-0039
142mm High Quality Compact Integrated Weather Station	142-0040
142mm High Quality Compact Integrated Weather Station	142-0041
142mm High Quality Compact Integrated Weather Station	142-0042
142mm High Quality Compact Integrated Weather Station	142-0043
142mm High Quality Compact Integrated Weather Station	142-0044
142mm High Quality Compact Integrated Weather Station	142-0045
142mm High Quality Compact Integrated Weather Station	142-0046
142mm High Quality Compact Integrated Weather Station	142-0047
142mm High Quality Compact Integrated Weather Station	142-0048
142mm High Quality Compact Integrated Weather Station	142-0049
142mm High Quality Compact Integrated Weather Station	142-0050
142mm High Quality Compact Integrated Weather Station	142-0051
142mm High Quality Compact Integrated Weather Station	142-0052
142mm High Quality Compact Integrated Weather Station	142-0053
142mm High Quality Compact Integrated Weather Station	142-0054
142mm High Quality Compact Integrated Weather Station	142-0055
142mm High Quality Compact Integrated Weather Station	142-0056
142mm High Quality Compact Integrated Weather Station	142-0057
142mm High Quality Compact Integrated Weather Station	142-0058
142mm High Quality Compact Integrated Weather Station	142-0059
142mm High Quality Compact Integrated Weather Station	142-0060
142mm High Quality Compact Integrated Weather Station	142-0061
142mm High Quality Compact Integrated Weather Station	142-0062
142mm High Quality Compact Integrated Weather Station	142-0063
142mm High Quality Compact Integrated Weather Station	142-0064
142mm High Quality Compact Integrated Weather Station	142-0065
142mm High Quality Compact Integrated Weather Station	142-0066
142mm High Quality Compact Integrated Weather Station	142-0067
142mm High Quality Compact Integrated Weather Station	142-0068
142mm High Quality Compact Integrated Weather Station	142-0069
142mm High Quality Compact Integrated Weather Station	142-0070
142mm High Quality Compact Integrated Weather Station	142-0071
142mm High Quality Compact Integrated Weather Station	142-0072
142mm High Quality Compact Integrated Weather Station	142-0073
142mm High Quality Compact Integrated Weather Station	142-0074
142mm High Quality Compact Integrated Weather Station	142-0075
142mm High Quality Compact Integrated Weather Station	142-0076
142mm High Quality Compact Integrated Weather Station	142-0077
142mm High Quality Compact Integrated Weather Station	142-0078
142mm High Quality Compact Integrated Weather Station	142-0079
142mm High Quality Compact Integrated Weather Station	142-0080
142mm High Quality Compact Integrated Weather Station	142-0081
142mm High Quality Compact Integrated Weather Station	142-0082
142mm High Quality Compact Integrated Weather Station	142-0083
142mm High Quality Compact Integrated Weather Station	142-0084
142mm High Quality Compact Integrated Weather Station	142-0085
142mm High Quality Compact Integrated Weather Station	142-0086
142mm High Quality Compact Integrated Weather Station	142-0087
142mm High Quality Compact Integrated Weather Station	142-0088
142mm High Quality Compact Integrated Weather Station	142-0089
142mm High Quality Compact Integrated Weather Station	142-0090
142mm High Quality Compact Integrated Weather Station	142-0091
142mm High Quality Compact Integrated Weather Station	142-0092
142mm High Quality Compact Integrated Weather Station	142-0093
142mm High Quality Compact Integrated Weather Station	142-0094
142mm High Quality Compact Integrated Weather Station	142-0095
142mm High Quality Compact Integrated Weather Station	142-0096
142mm High Quality Compact Integrated Weather Station	142-0097
142mm High Quality Compact Integrated Weather Station	142-0098
142mm High Quality Compact Integrated Weather Station	142-0099
142mm High Quality Compact Integrated Weather Station	142-0100

Accessory Descriptions

• **Connector (1957-0060)**
A replacement connector is available. Equipped. The connector is compatible with all MaxiMet models and is supplied with gels.

• **Cable for operational use**
The 4-pin cable can be used to connect MaxiMet to power and communication. The cable can be supplied as a 1m cable with gels, Part # 142-0100, or by the meter (1957-0060).

• **Cable for setup/configuration (1957-10065)**
This cable is used to connect MaxiMet to a PC or laptop on a computer. Using MaxiMet, the setup of the MaxiMet unit can be configured to meet specific requirements. The cable is 1.5m long and is supplied with a MaxiMet connector on one end and a USB connector on the other end.

gillinstruments.com

© Gill Instruments Limited



OTHER MAXIMET MODELS

	Wind	Temperature, humidity, pressure	Rain	Solar	Compass, GPS	Low power heating
GMX200	Y				Y, as option	
GMX240	Y		Integrated optical rain sensor		Y, as option	
GMX260	Y				Y 6-axis, option	
GMX300		Y				
GMX301		Y		Y		
GMX400		Y	Integrated optical rain sensor			
GMX501	Y	Y		Y	Y, as option	Option
GMX550	Y	Y	Tipping bucket connector		Y, as option	Option
GMX551	Y	Y	Tipping bucket connector	Y	Y, as option	Option
GMX560	Y	Y			Y 6-axis, option	Option
GMX600	Y	Y	Integrated optical rain sensor		Y, as option	Option

For more information about MaxiMet®, please contact Gill Instruments.

Designed and manufactured in the UK by Gill Instruments Limited.